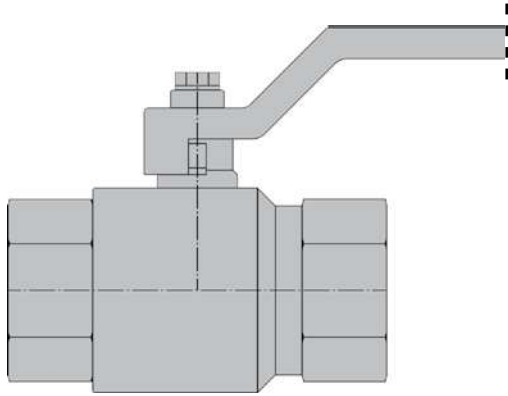
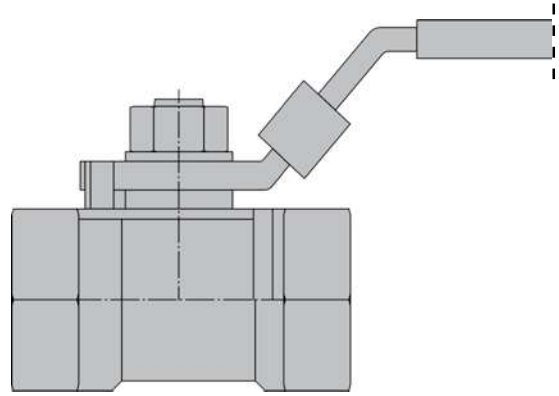


Ball valves – low pressure



52

- Female/female threads.
- Lever handle in steel, body in nickel-plated brass.
- Min. and max. working temperatures: -20°C, 150°C.
- Threads: ISO 7/1 Rp parallel (equivalent to DIN EN 10226-1 and BS EN 10226-1).



GS1

- Female/female threads.
- Lever handle and body in stainless steel, PTFE seals.
- Min. and max. working temperatures: -40°C, 200°C.
- Threads: ISO 228/1 & ISO 7/1 Rp parallel

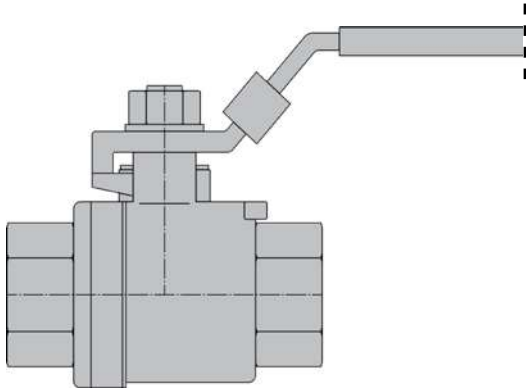
52, Brass ball valve

DN	Part No	ID Code	W.P. [bar]	G	Flow
8	52 1/4 R	2602030000	50	1/4" BSP	FULL BORE
10	52 3/8 R	2602030500	50	3/8" BSP	FULL BORE
15	52 1/2 R	2602031000	50	1/2" BSP	FULL BORE
20	52 3/4 R	2602031500	40	3/4" BSP	FULL BORE
25	52 1 R	2602032000	40	1" BSP	FULL BORE
32	52 1 1/4 R	2602032500	30	1 1/4" BSP	FULL BORE
40	52 1 1/2 R	2602033000	30	1 1/2" BSP	FULL BORE
50	52 2 R	2602033500	25	2" BSP	FULL BORE

GS1, Stainless steel ball valve

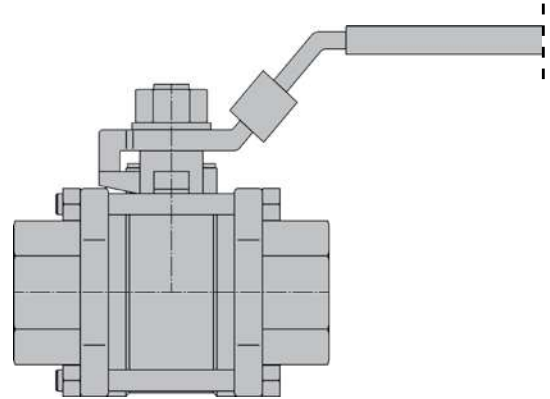
DN	Part No	ID Code	W.P. [bar]	G	Flow
8	GS 11/4 R 316	2602001200	63	1/4" BSP	REDUCED BORE
10	GS 13/8 R 316	2602002600	63	3/8" BSP	REDUCED BORE
15	GS 11/2 R 316	2602001000	63	1/2" BSP	REDUCED BORE

Ball valves – low pressure



GS2

- Female/female threads, body in two pieces.
- Lever handle and body in stainless steel, PTFE seals
- Min. and max. working temperatures: -40°C, 200°C.
- Threads: ISO 228/1 & ISO 7/1 Rp parallel



GS3

- Female/female threads, body in three pieces.
- Lever handle and body in stainless steel, PTFE seals
- Min. and max. working temperatures: -40°C, 200°C.
- Threads: ISO 228/1 & ISO 7/1 Rp parallel
- Also available with Welding Hubs.

GS2, Stainless steel ball valve

DN	Part No	ID Code	W.P. [bar]	G	Flow
8	GS2 1/4 R 316	2602010000	140	1/4" BSP	FULL BORE
10	GS2 3/8 R 316	2602010500	140	3/8" BSP	FULL BORE
15	GS2 1/2 R 316	2602011000	140	1/2" BSP	FULL BORE
20	GS2 3/4 R 316	2602011500	140	3/4" BSP	FULL BORE
25	GS2 1 R 316	2602012000	140	1" BSP	FULL BORE
32	GS2 1 1/4 R 316	2602012200	100	1 1/4" BSP	FULL BORE
40	GS2 1 1/2 R 316	2602013000	100	1 1/2" BSP	FULL BORE
50	GS2 2 R 316	2602013500	100	2" BSP	FULL BORE

GS3, Stainless steel ball valve

DN	Part No	ID Code	W.P. [bar]	G	Flow
8	GS3 1/4 R 316	2602020000	63	1/4" BSP	FULL BORE
10	GS3 3/8 R 316	2602020100	63	3/8" BSP	FULL BORE
15	GS3 1/2 R 316	2602020200	63	1/2" BSP	FULL BORE
20	GS3 3/4 R 316	2602020300	63	3/4" BSP	FULL BORE
25	GS3 1 R 316	2602020400	63	1" BSP	FULL BORE
32	GS3 1 1/4 R 316	2602020500	63	1 1/4" BSP	FULL BORE
40	GS3 1 1/2 R 316	2602020600	63	1 1/2" BSP	FULL BORE
50	GS3 2 R 316	2602020700	63	2" BSP	FULL BORE
65	GS3 2 1/2 R 316	2602020800	63	2 1/2" BSP	FULL BORE
80	GS3 3 R 316	2602020900	63	3" BSP	FULL BORE